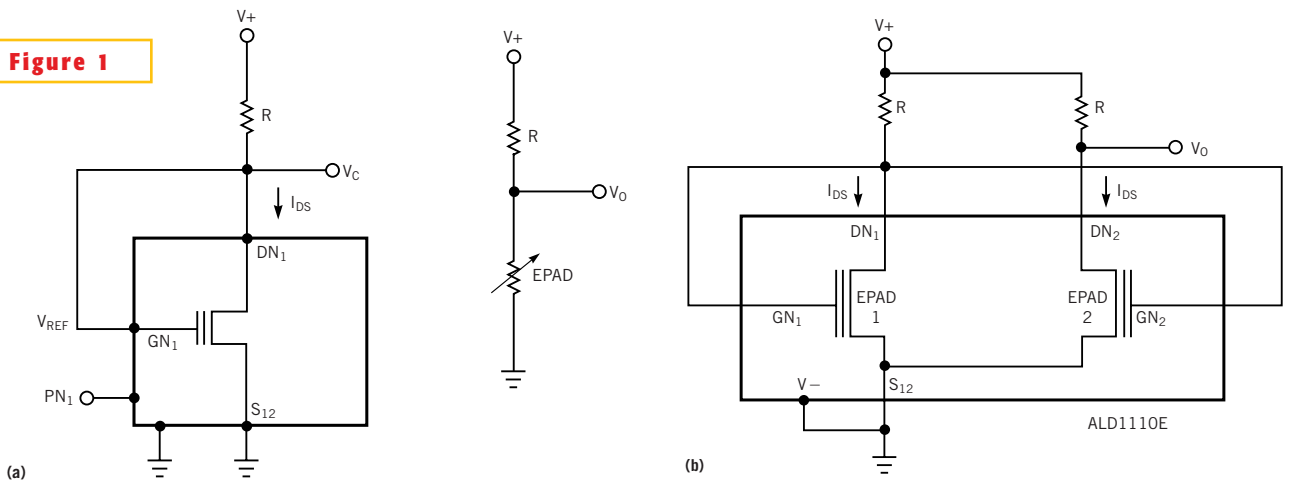


Figure 1



The EPAD from Advanced Linear Devices lets you program the threshold of a MOSFET. The equivalent circuit shows its function as a variable resistor (a); for bidirectional control, you connect two devices back to back (b).