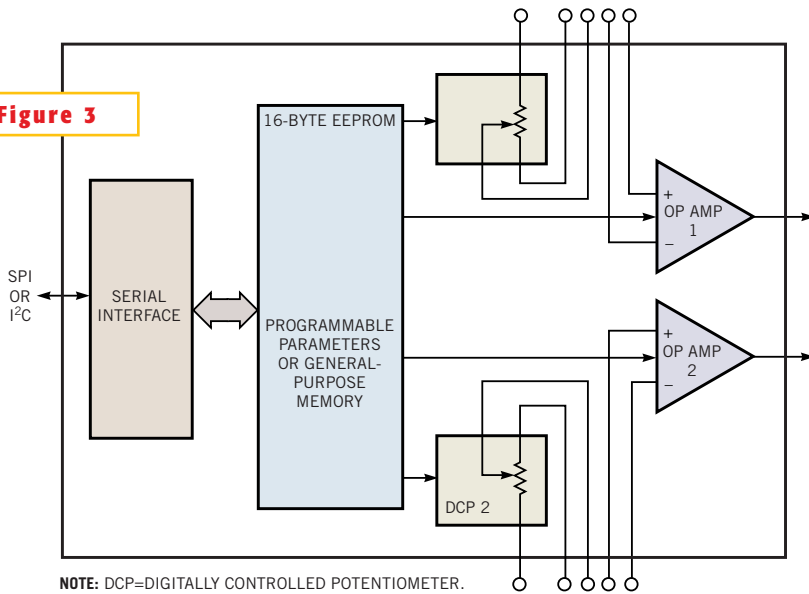


**Figure 3**



NOTE: DCP=DIGITALLY CONTROLLED POTENTIOMETER.

**Xicor's X9430 dual op amp lets you program key parameters in nonvolatile memory and apply the unused memory locations to other purposes.**