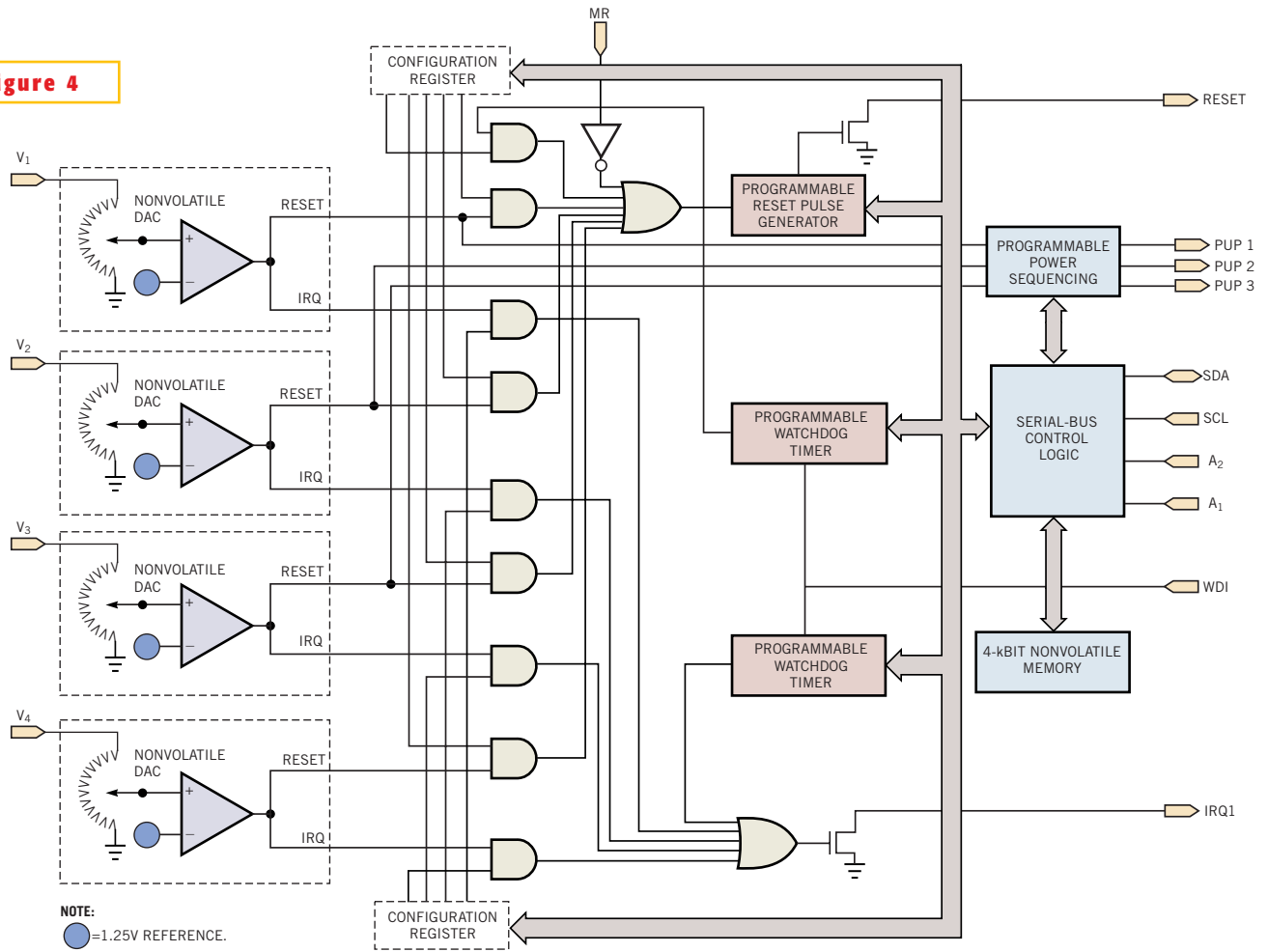


Figure 4



The SMS44 voltage-supervisory circuit from Summit Microelectronics lets you program basic voltage thresholds, combinational arrangements, reset-pulse width, and output configuration.