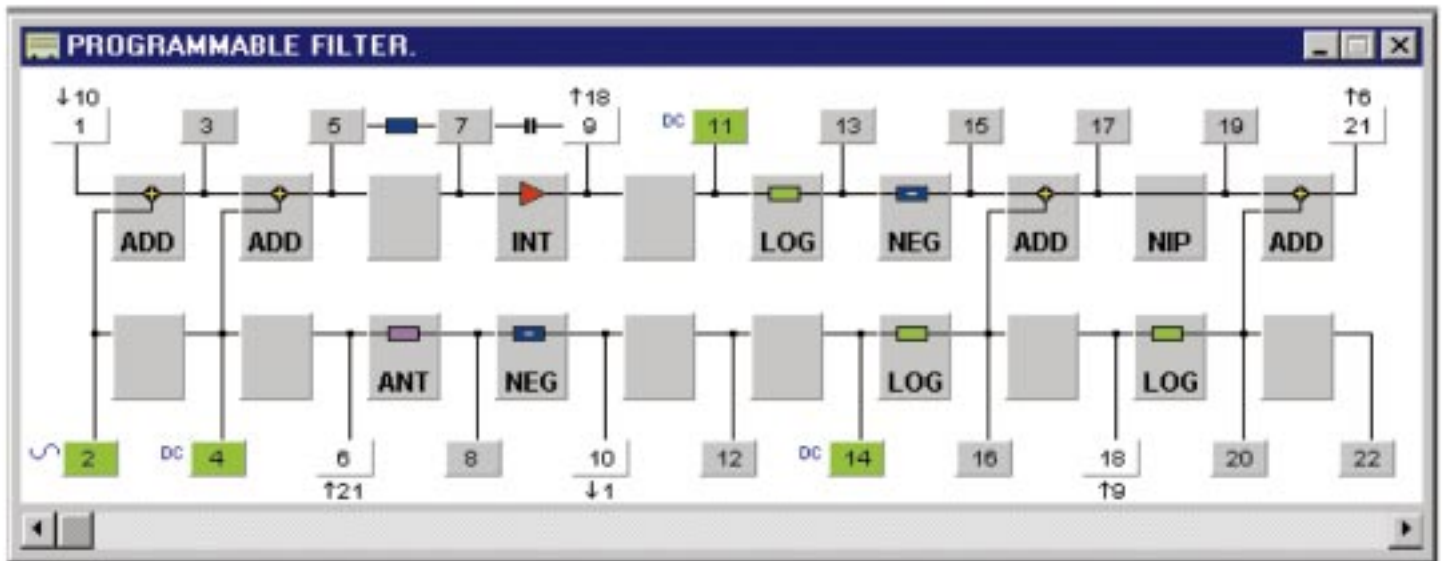


(a)



(b)

With the TRAC approach for a programmable filter, you develop an analog-signal-processing flow at the system level (a) and then implement it by defining the mathematical operations and interconnection of function blocks (b).