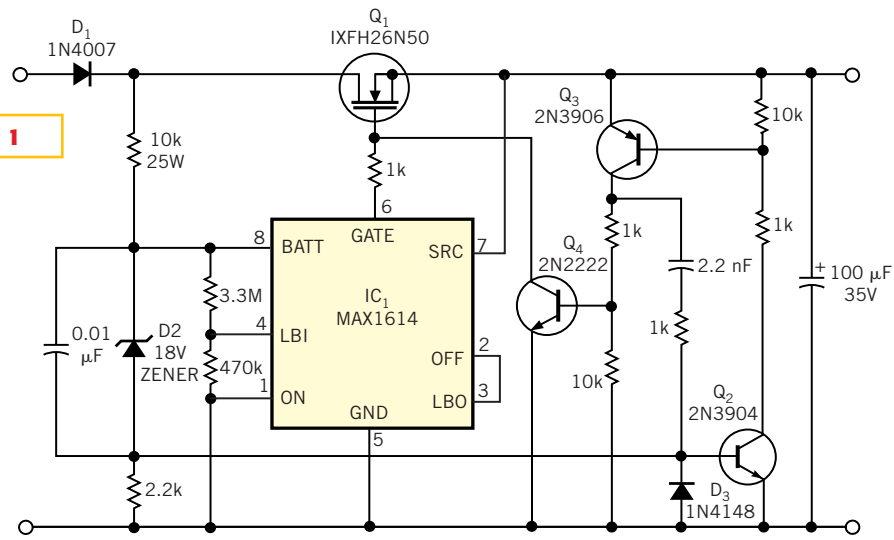


**Figure 1**



This circuit protects a load, connected to the right pair of terminals, from undervoltage and high-voltage transients in the supply voltage, connected to the left pair of terminals.