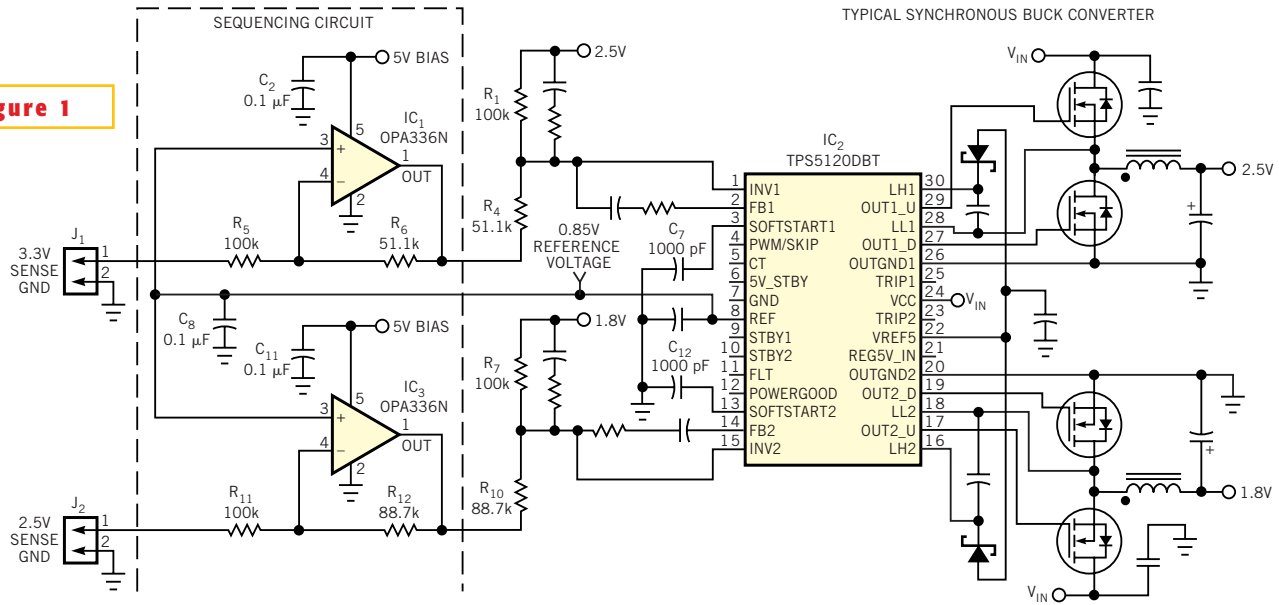


**Figure 1**



**An amplifier circuit forces the converter's output voltages to track during start-up.**