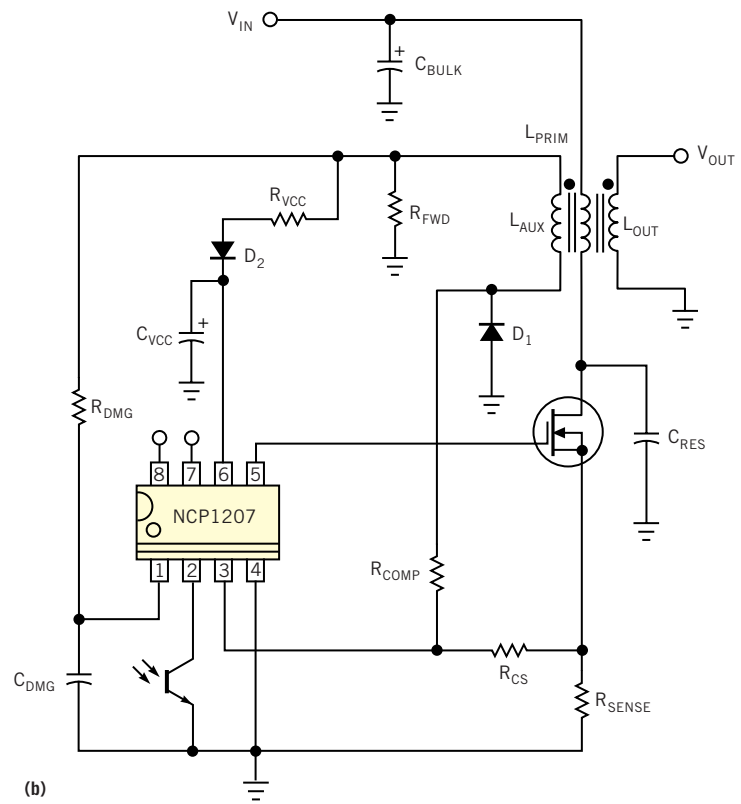


(a)



(b)

Figure 1

The standard approach (a) for overpower protection is unacceptable when you need low standby power; an approach using a fraction of the input voltage (b) comes to the rescue.