

NOTE: ADVANCE/RETARD PULSES TAKE EFFECT ON THE NEXT CYCLE, NOT THE CURRENT CYCLE.

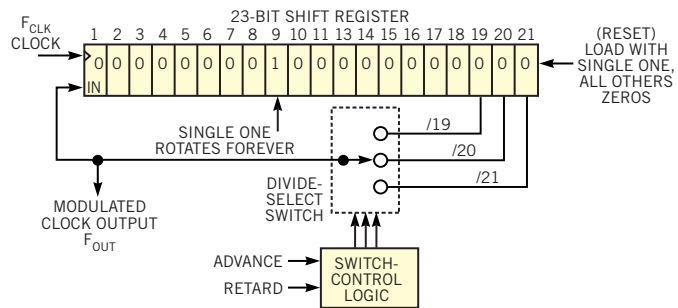


Figure 1 This scheme allows you to change the rate of the spreading-code clock in spread-spectrum applications.