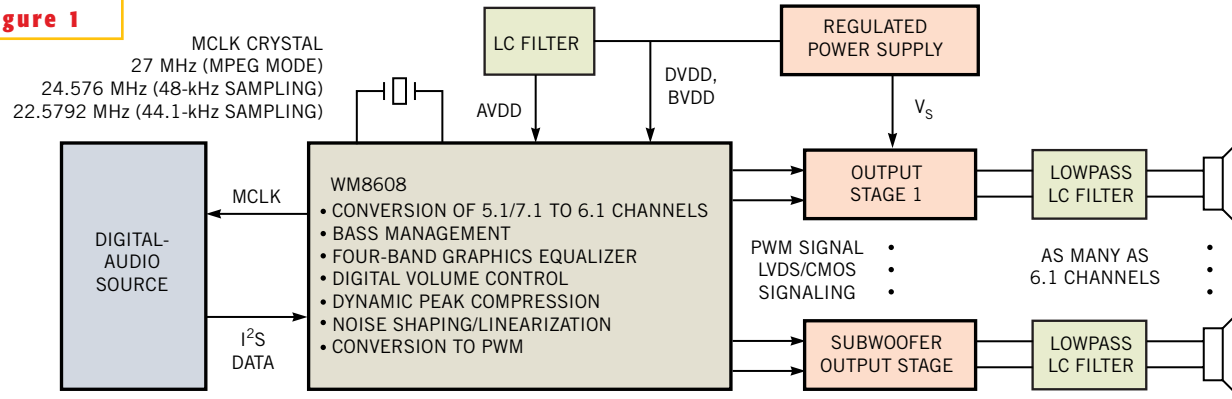


Figure 1



NOTES:

AVDD: ANALOG SUPPLY—FEEDS ANALOG SUBCIRCUITS OF THE MODULATOR IC.

DVDD: DIGITAL SUPPLY—FEEDS DIGITAL CORE OF THE MODULATOR IC.

BVDD: BUFFER SUPPLY—FEEDS OUTPUT BUFFERS OF THE MODULATOR IC.

The Class D amplifier architecture for native digital inputs can have a different architecture from the older design for analog inputs.