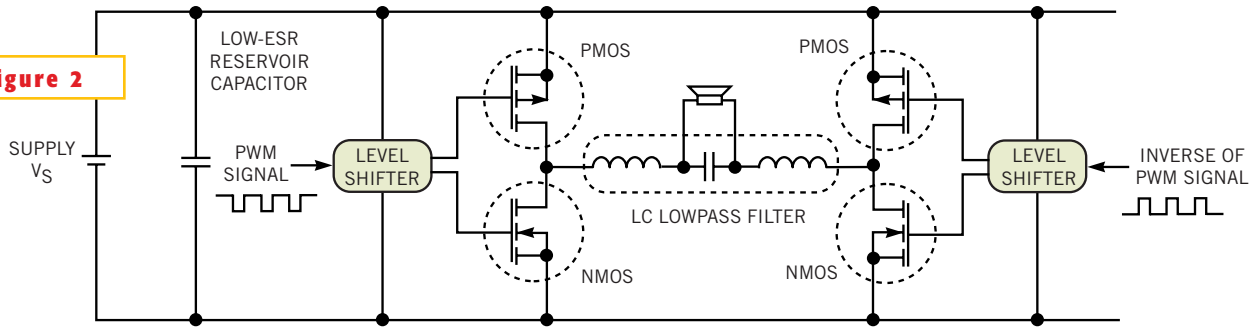


Figure 2



The H-bridge output has the virtue of single-supply operation without a dc blocking capacitor.