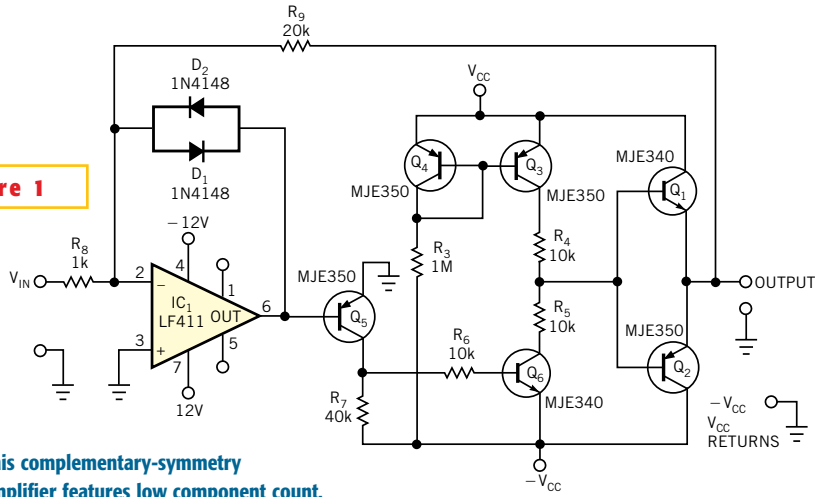


Figure 1



This complementary-symmetry amplifier features low component count.