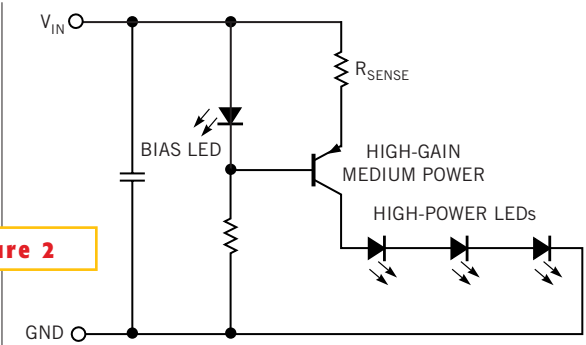


Figure 2



A low-power LED's negative-temperature coefficient stabilises a transistor-based current source.