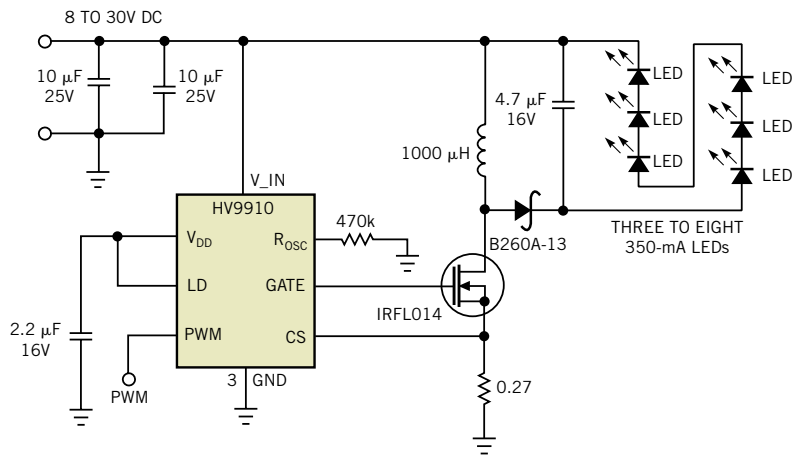


(a)

**Figure 5**



(b)

As a downconverter, the HV9910 from Supertex drives one LED from 8 to 30V dc supplies (a). Rearranging the HV9910 as a buck-boost converter drives multiple LEDs from low-voltage supplies (b).