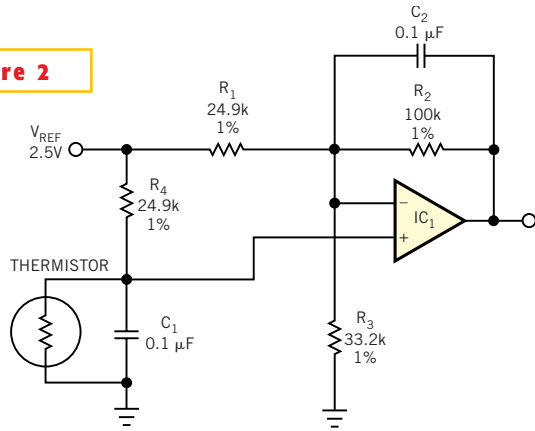


**Figure 2**



**This pseudologarithmic thermistor signal conditioner uses a single operational amplifier and a few passive components.**