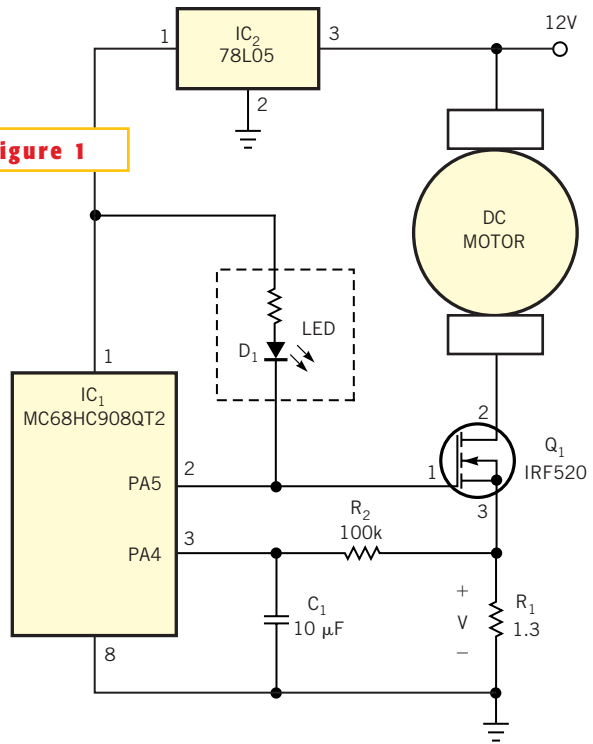


**Figure 1**



**NOTE:** D<sub>1</sub>, A LITE-ON LTL-4223-R2, INCLUDES A BUILT-IN RESISTOR.

**Controller for dc brushless fan motor features minimal parts count.**