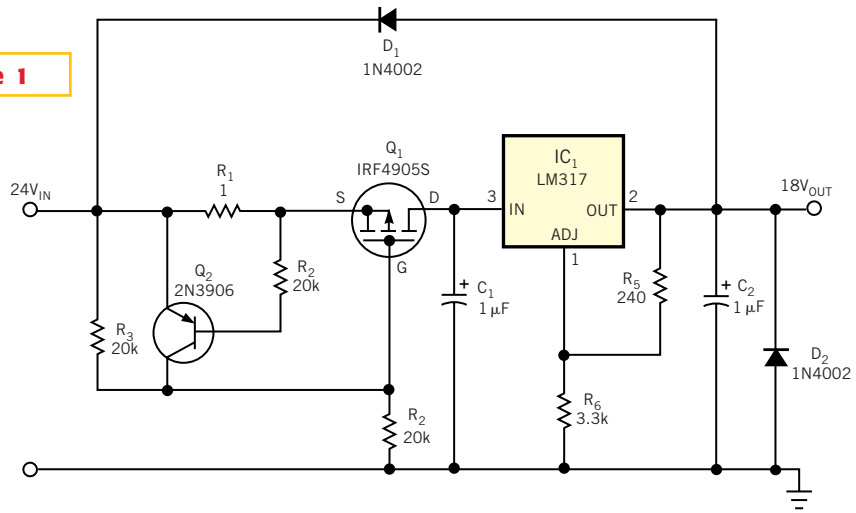


**Figure 1**



A few added components extend this linear regulator's overcurrent protection.