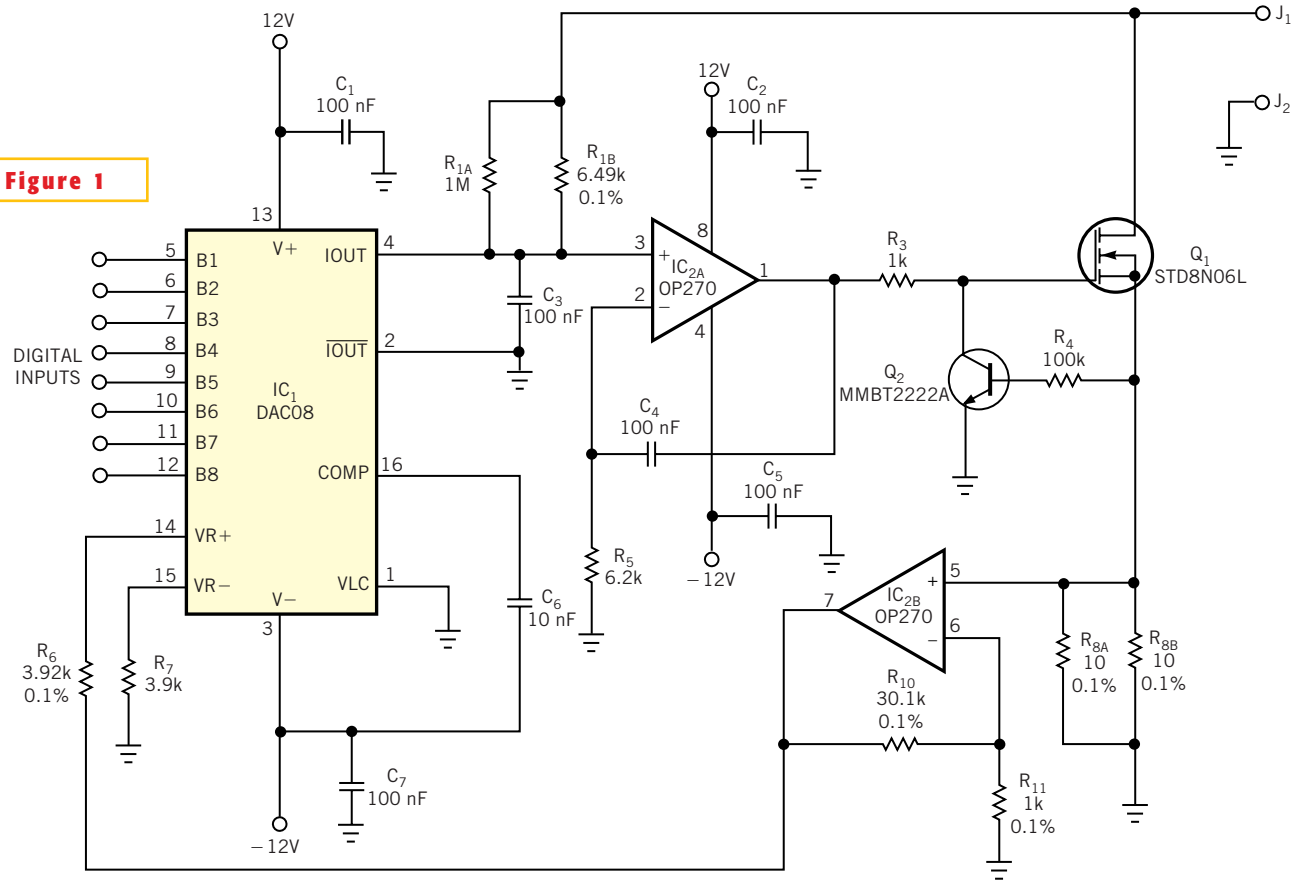


**Figure 1**



This digitally programmable resistor features low component count and inexpensive parts.