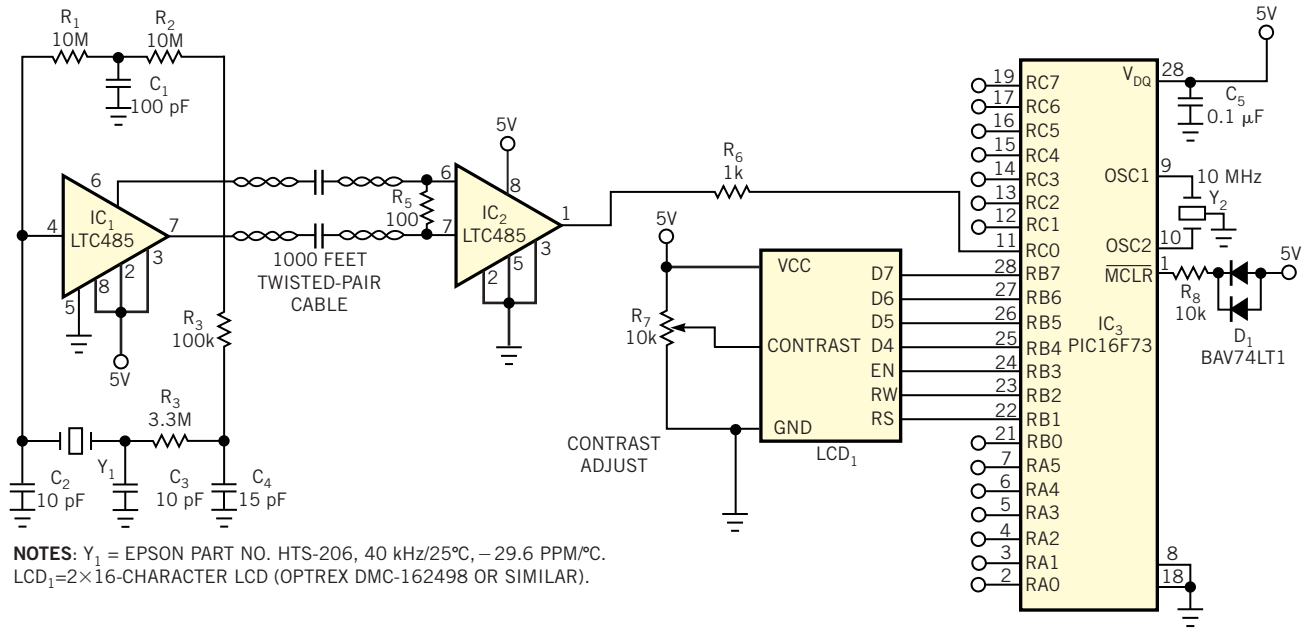


Figure 1



A quartz-crystal temperature sensor provides Celsius-temperature readouts accurate to 2% over a -40 to +85°C range.