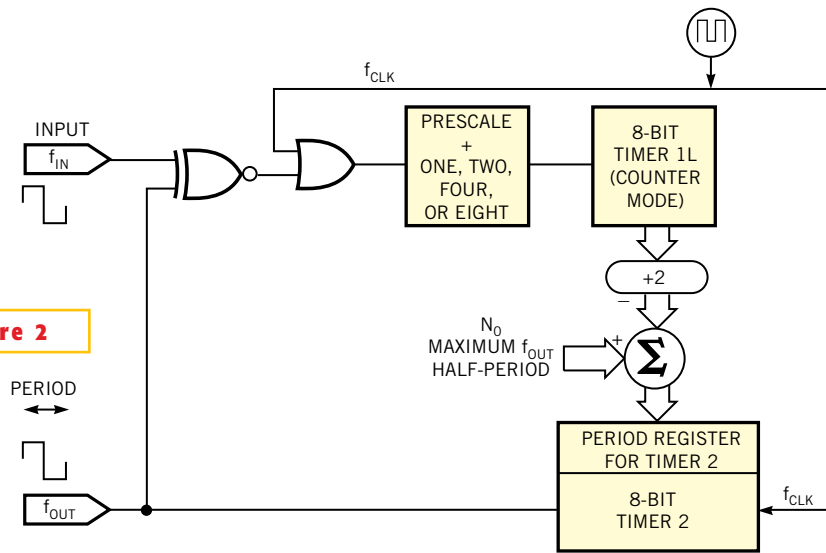


Figure 2



An XNOR-gate phase detector provides good performance with noisy signals, and a microprocessor handles signal processing.