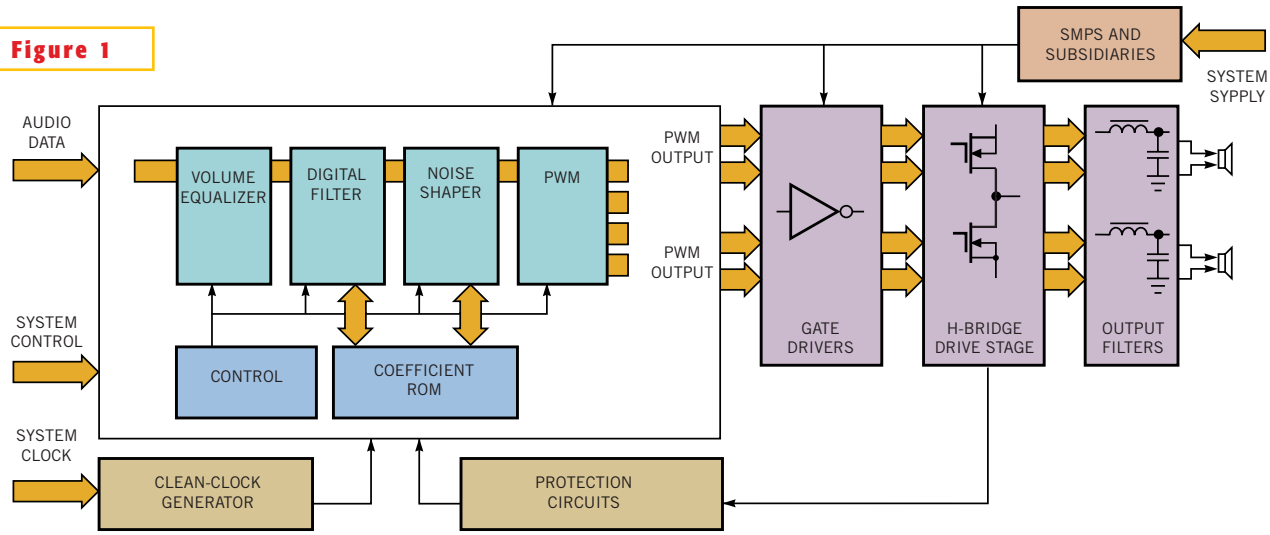


**Figure 1**



**A typical digital-input Class D amplifier converts audio signals to a high-power PWM filtered output before delivery to the load.**