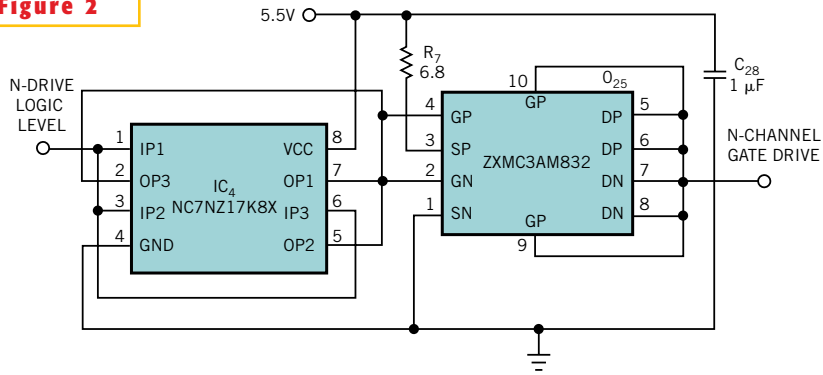


**Figure 2**



Tiny logic devices and complementary FETs provide high-speed drive for bridge-FET gates.