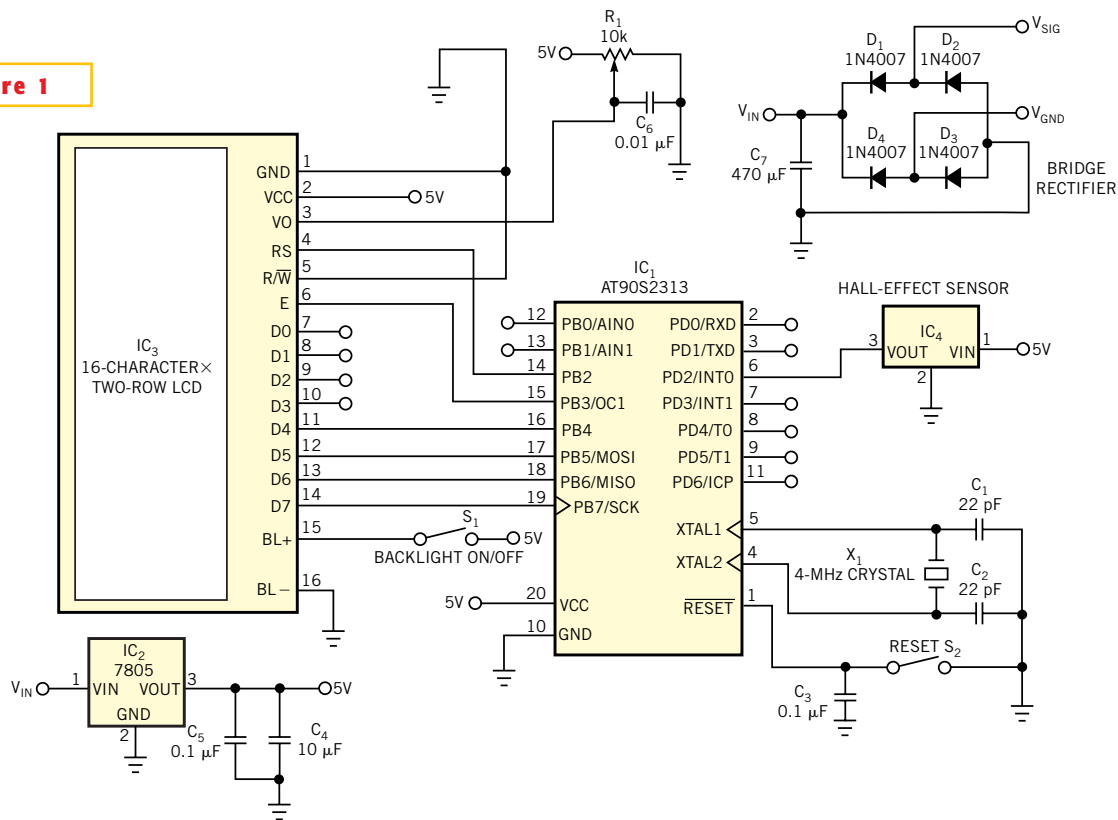


**Figure 1**



**Three ICs and an LCD form a versatile digital speedometer.**