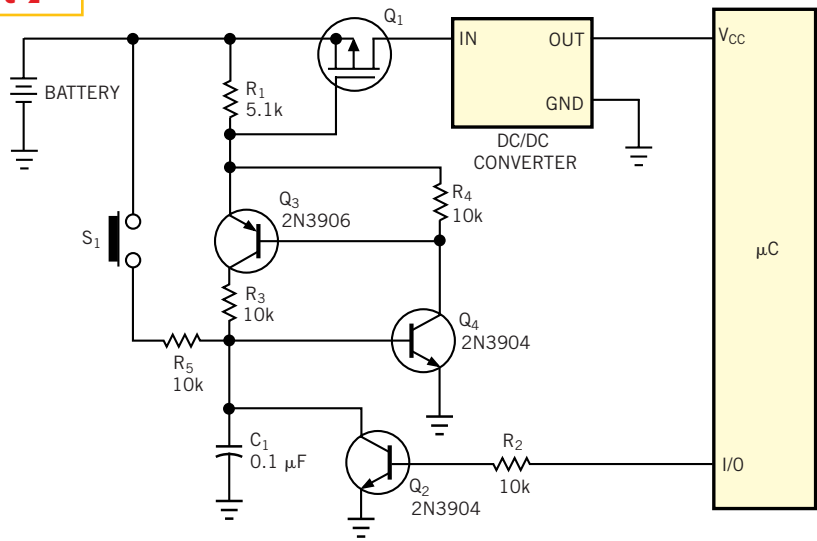


**Figure 2**



**A two-transistor latch provides positive turn-on when you push the button.**