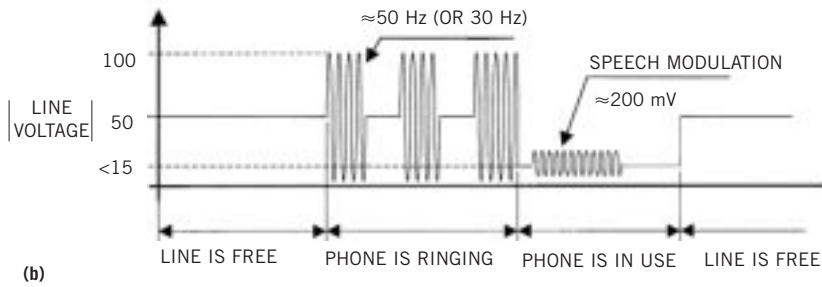
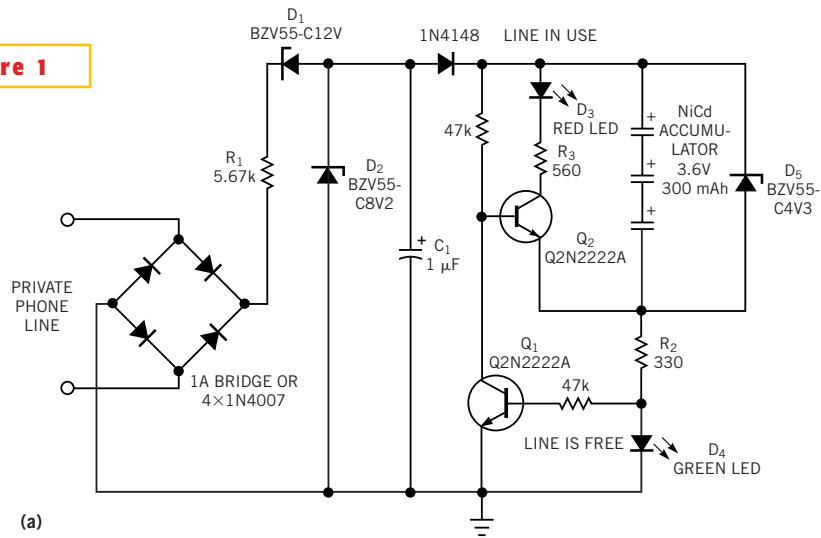


Figure 1



D₄ lights to indicate that the phone line is free, and D₃ lights to indicate the line is in use (a), depending on the three possible phone-line voltage states (b).