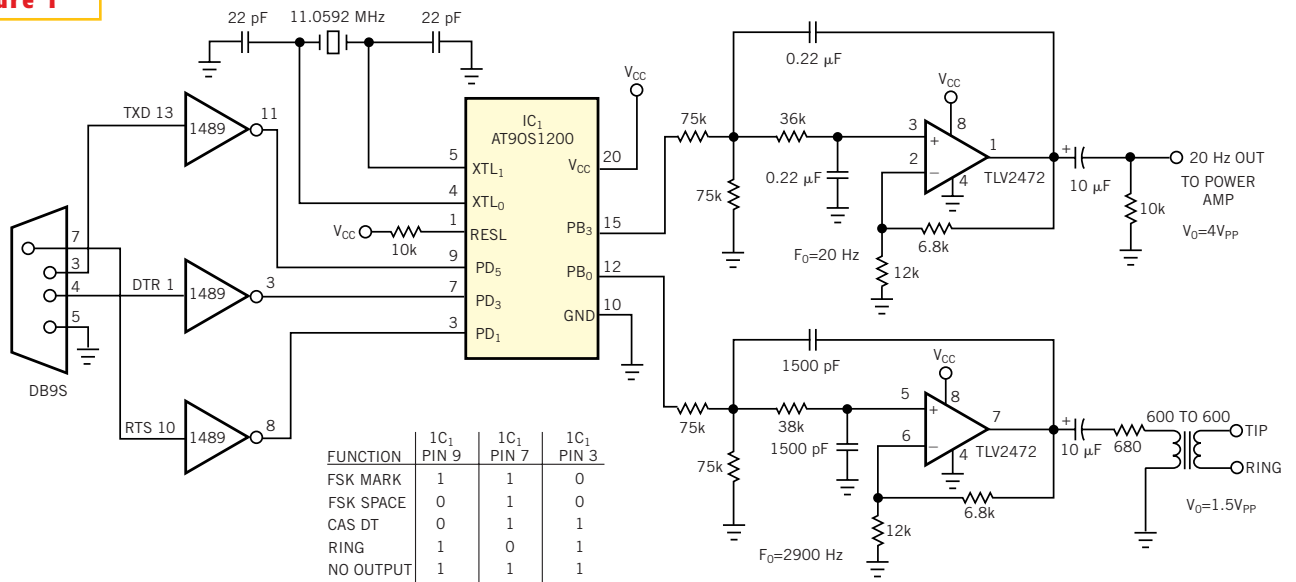


Figure 1



Based on RS-232 inputs from a PC, pin 12 of IC₁ produces a PWM output proportional to FSK 1200-baud serial data or a dual-tone CAS signal. The output at pin 15 is a 20-Hz-ring signal. Subsequent lowpass filtering produces sine-wave outputs.