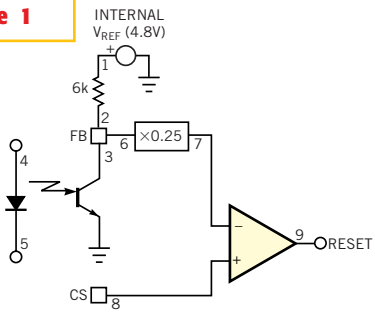


**Figure 1**



**A typical current-mode architecture uses an optocoupler as a variable resistor.**