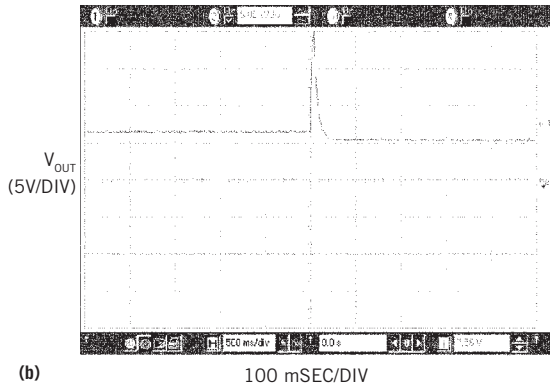
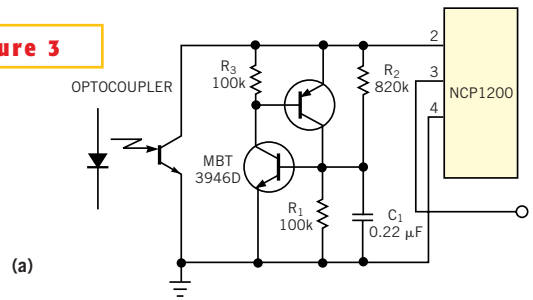


**Figure 3**



**You can use a dual npn+pnp to build a cheap thyristor (a). When the thyristor fires, the pulses permanently stop, leaving no voltage runaway (b).**