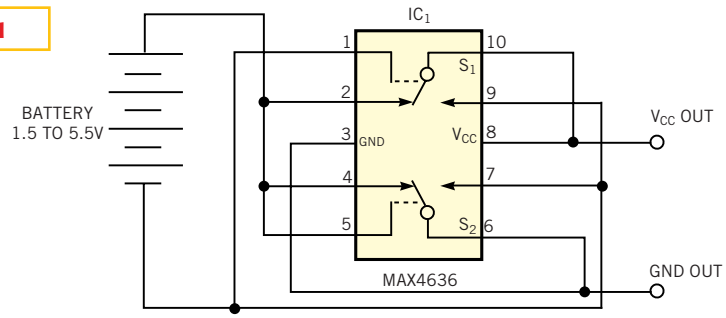


Figure 1



This circuit senses battery polarity, then quickly connects the load or swaps the battery leads.