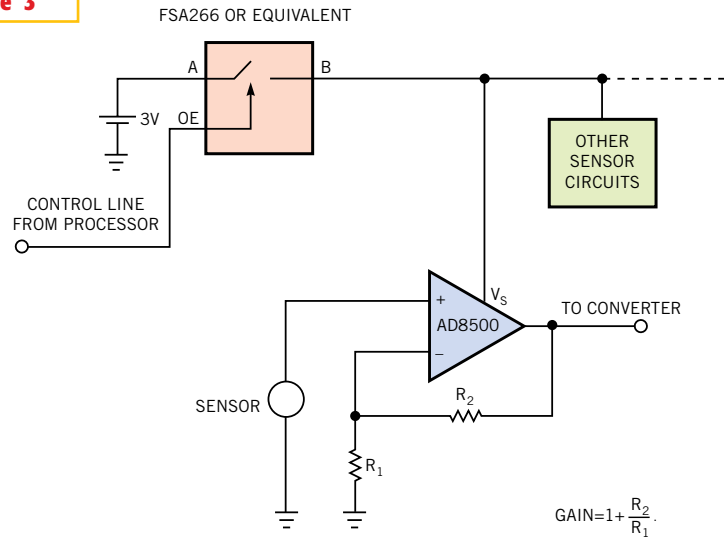


**Figure 3**



Shutting down power to the sensor as well as its amplifier saves system power in "sleep" mode.