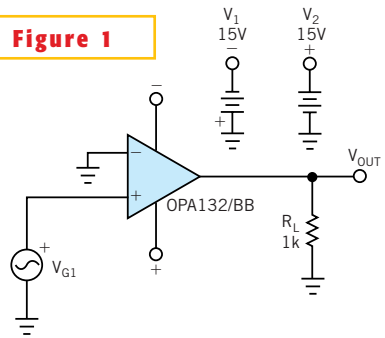


**Figure 1**



**You can use the open-loop model with Spice but not in the lab.**