

1. HD CAMERA DOWNLOADS VIDEO TO SYSTEM MEMORY, THEN WRITES TO THE HARD DRIVE.

2. PROCESSOR READS VIDEO STREAM FROM SYSTEM MEMORY, DECODES IT, AND WRITES IT TO VIDEO MEMORY.

3. VIDEO CARD DISPLAYS VIDEO.

4. SYSTEM DECODES MULTIPLE VIDEO STREAMS RESIDING ON THE HARD DRIVE AND SENDS THEM TO THE DISPLAY.

5. GRAPHICS CARD EDITS AND SENDS EDITS BACK TO SYSTEM MEMORY.

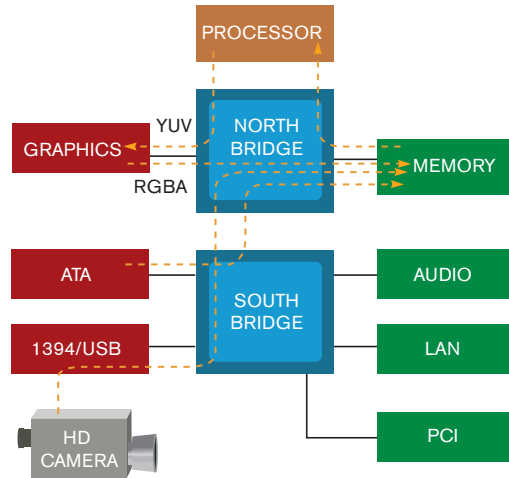


Figure 4 High-resolution, multistream video editing is one of many applications that showcases the advantages of the high upstream bandwidth of PCI Express versus the AGP predecessor (courtesy Pinnacle Systems, a division of Avid).