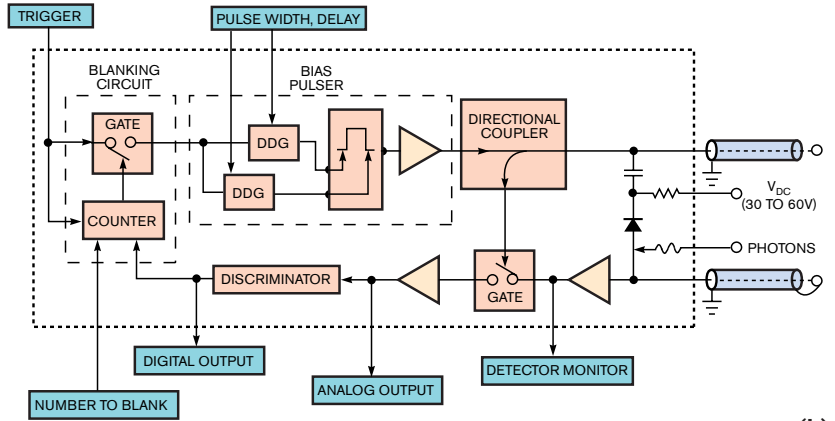




(a)

Figure 5 The custom-built, single-photon detector unit, which IBM Almaden built, has an optical-detector front end (a) and a considerable amount of support electronics (b).



(b)