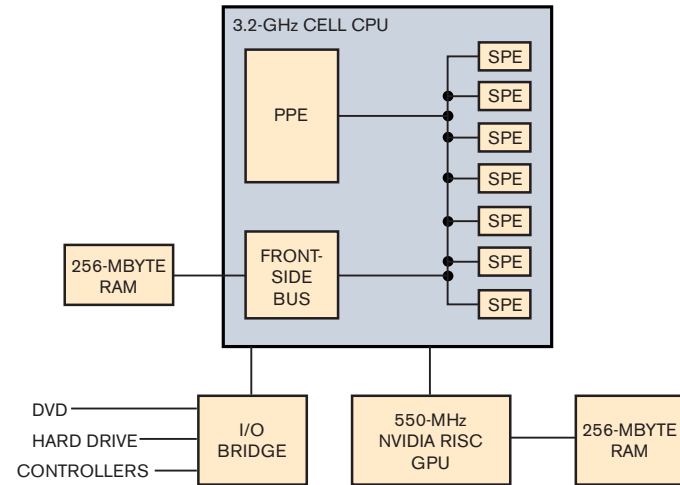


NOTES:
 L1D=LEVEL 1 DATA CACHE.
 L1I=LEVEL 1 INSTRUCTION CACHE.

(a)

Figure 3 Peer closely, and you'll find several significant architecture discrepancies between the Xbox 360 (a) and PlayStation 3 (b), reflecting the companies' philosophical differences on partitioning.



NOTES:
 PPE=POWERPC PROCESSING ELEMENT.
 SPE=SYNERGISTIC PROCESSOR ELEMENT.

(b)