

- 8-BIT MICROCONTROLLER
- FULL PROTOCOL STACK:
LESS THAN 32 KBYTES
- SIMPLE NODE-ONLY STACK:
APPROXIMATELY 4 KBYTES
- COORDINATORS REQUIRE
EXTRA RAM
 - NODE-DEVICE DATABASE
 - TRANSACTION TABLE
 - PAIRING TABLE

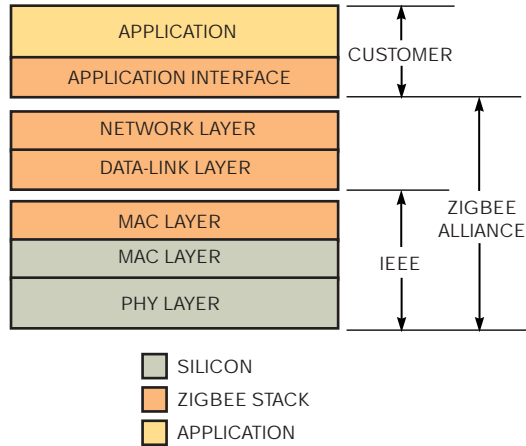


Figure 2 ZigBee is a layered protocol. IEEE standard 802.15.4 governs the bottom (green) layers. The ZigBee specification governs the middle (orange) layers. The customer controls the topmost application layer (gold). Orange denotes the layers that constitute the stack contained in ZigBee-platform ICs (courtesy ZigBee Alliance).