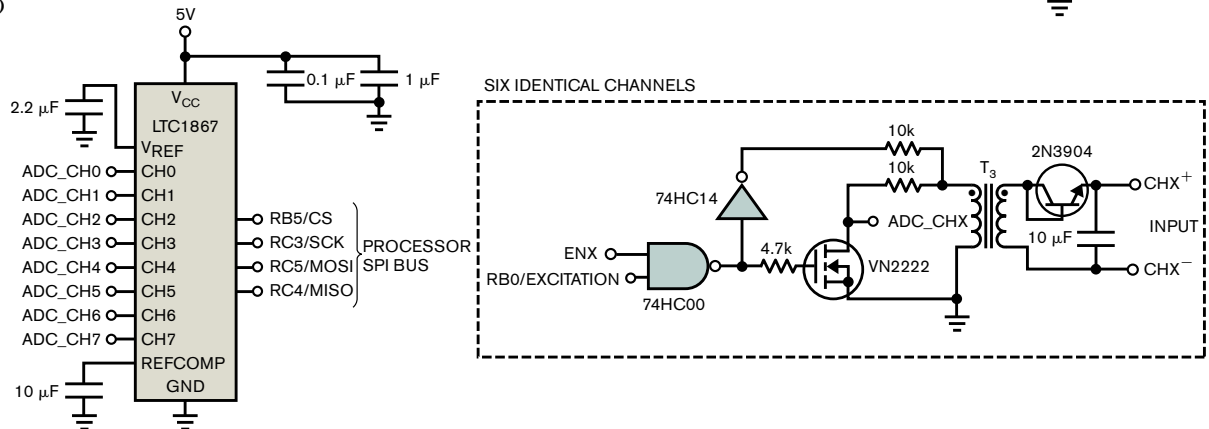


(a)



(b)

Figure 8 ADC-calibration channels eliminate base-emitter-voltage-matching requirements (a) and compensate for temperature-dependent errors (b).