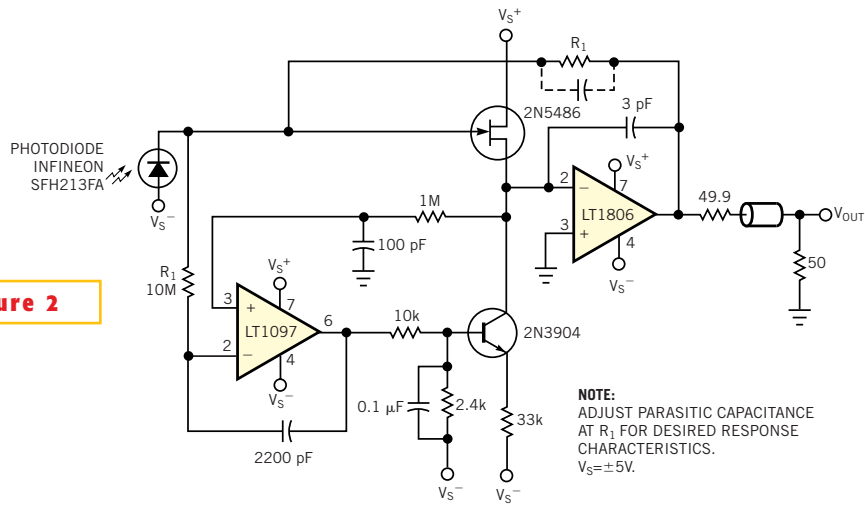


Figure 2



This fast, high-gain photodiode amplifier uses Figure 1's scheme to bias the JFET.