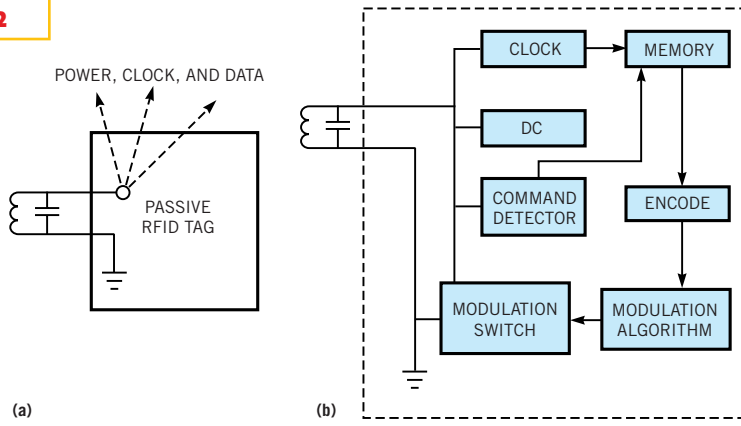


Figure 2



An RFID tag must accomplish the EEPROM interface using just one signal path (a). A typical RFID IC encompasses a significant array of functional blocks plus power-recovery functions (b).