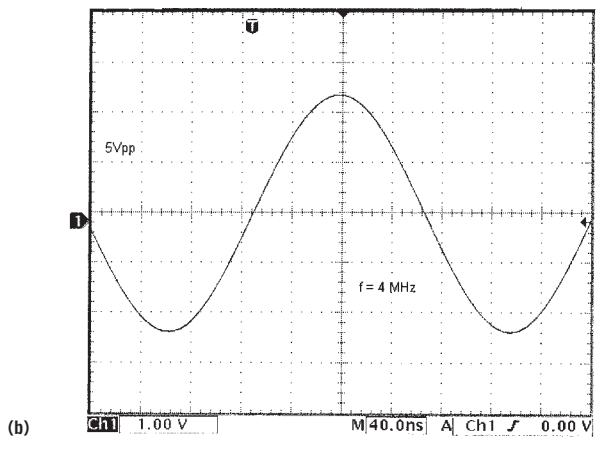
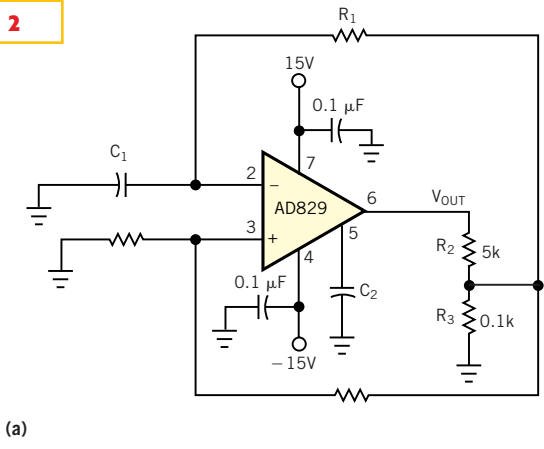


**Figure 2**



**This stable oscillator (a) has low distortion (b).**