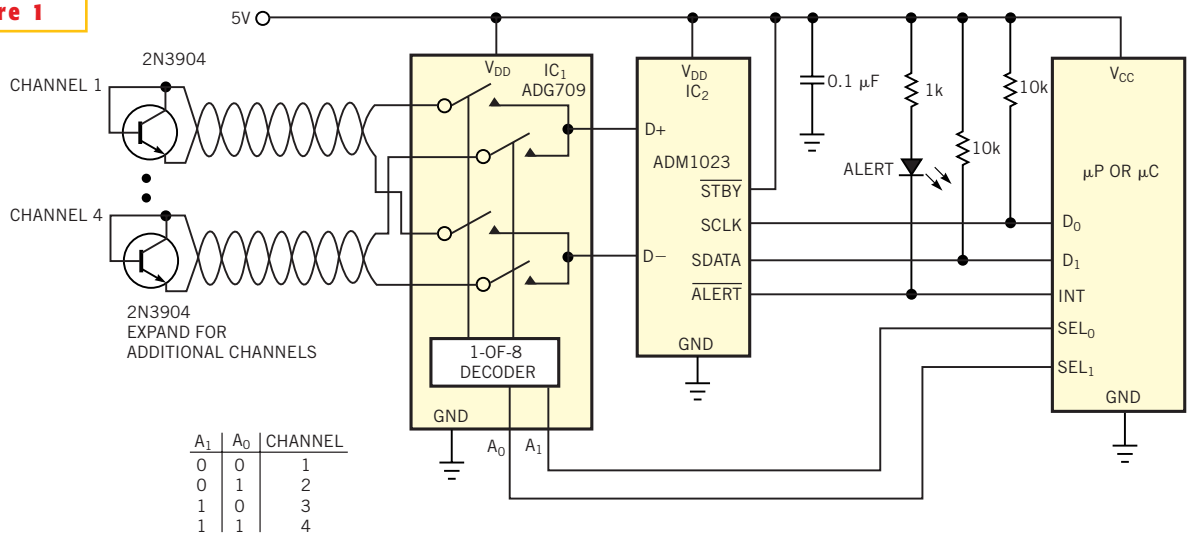


Figure 1



Diode-connected transistors monitor multiple temperature zones.