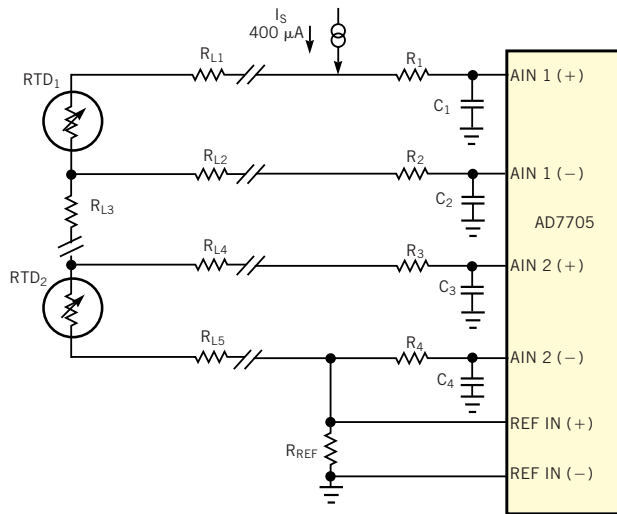


**Figure 1**



**This ratiometric differential-temperature measurement system eliminates ohmic wiring drops as sources of errors.**