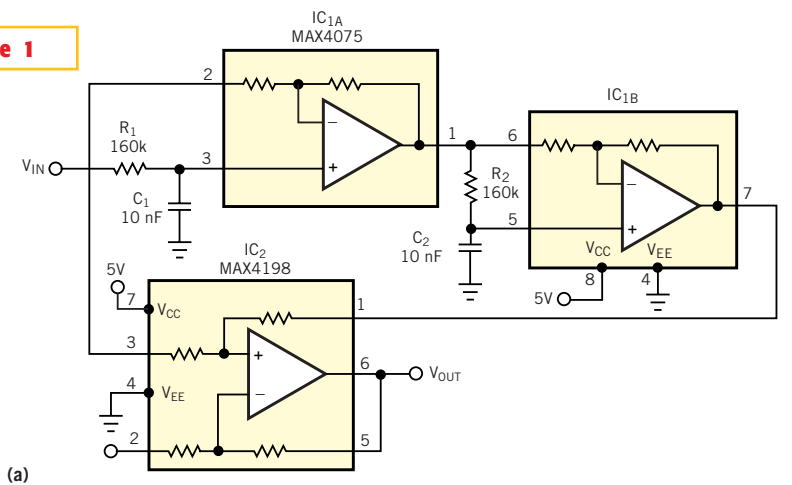
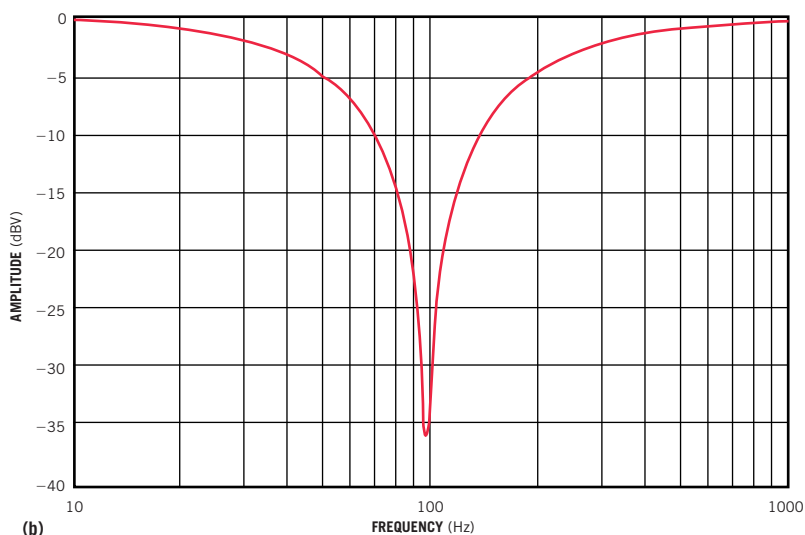


Figure 1



(a)



(b)

Summing V_{IN} with the output of IC₁'s phase-shifting allpass filter results in a notch response (a). Operating the circuit with 5% values for R_1 and R_2 and 10% values for C_1 and C_2 produces a notch frequency of approximately 99 Hz (b).