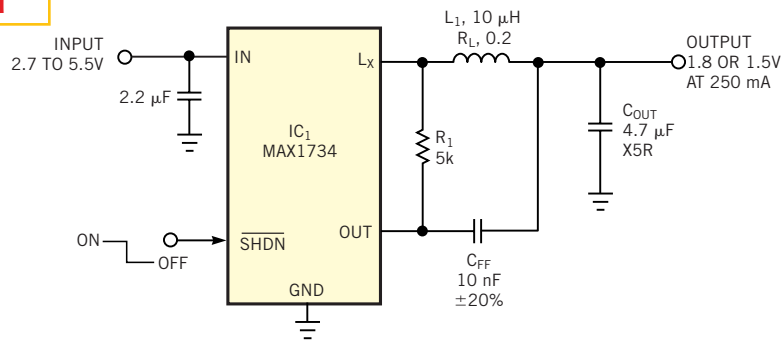


Figure 1



A stepdown dc/dc converter, which normally requires a tantalum output capacitor, can operate with a ceramic output capacitor by deriving feedback from the L_x pin via the R₁/C_{FF} filter.