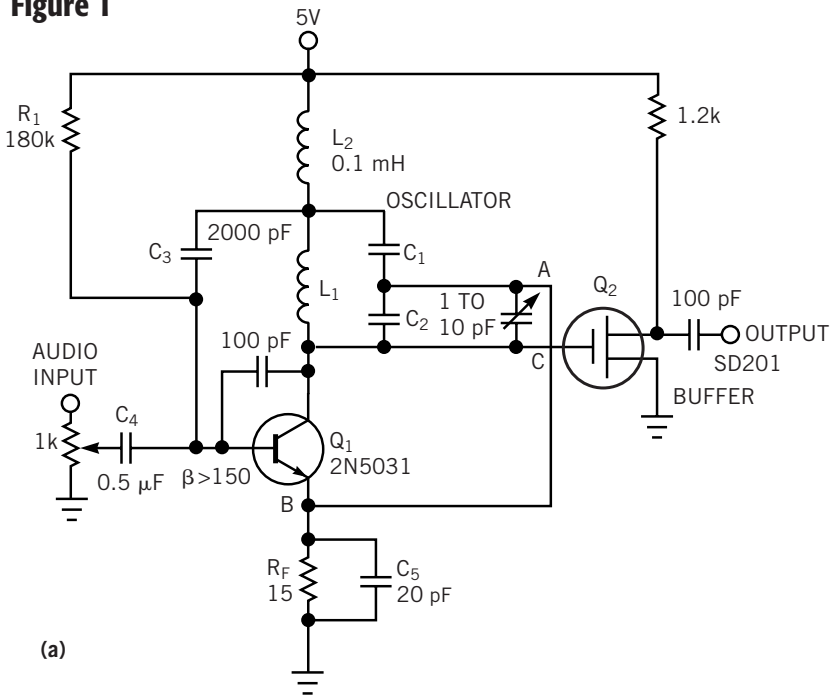
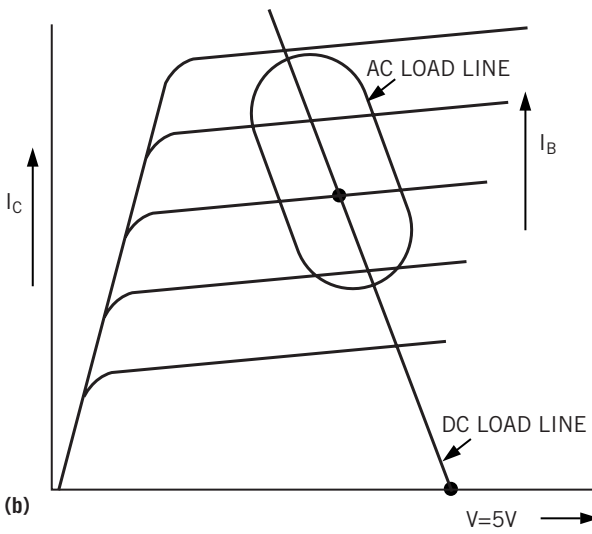


**Figure 1**



(a)



(b)

**A single-stage synchronous oscillator converts audio or video to FM (a). The load line is a combination of a straight line and an ellipse (b).**