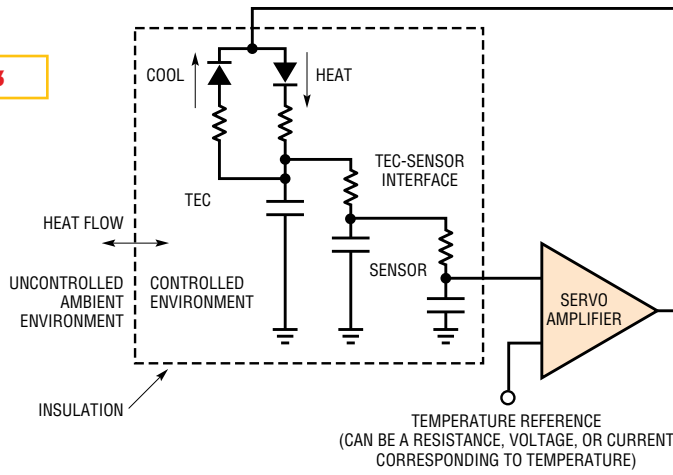


Figure 3



A simplified TEC control-loop model uses resistors and capacitors to represent thermal resistance and capacity, respectively. To avoid instability, the servo amplifier's gain bandwidth must take the lumped delay of the thermal terms into account.