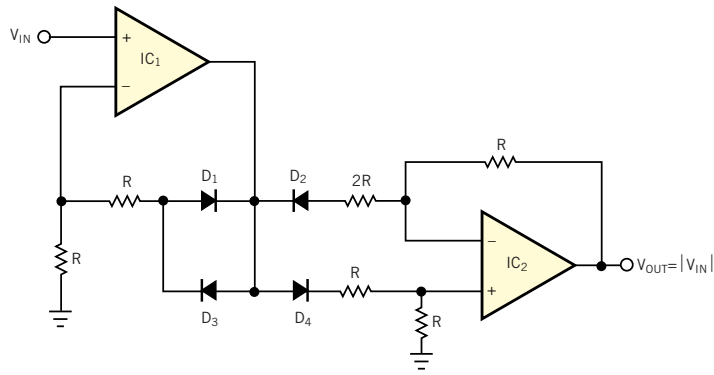


Figure 1



This full-wave rectifier circuit yields the accurate absolute value of the input signal.