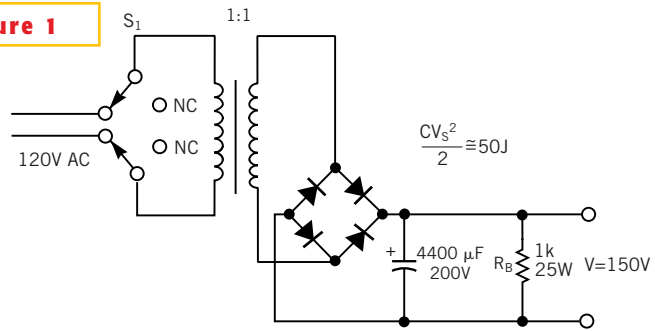


Figure 1



A bleeder resistor ensures safety but wastes much power.