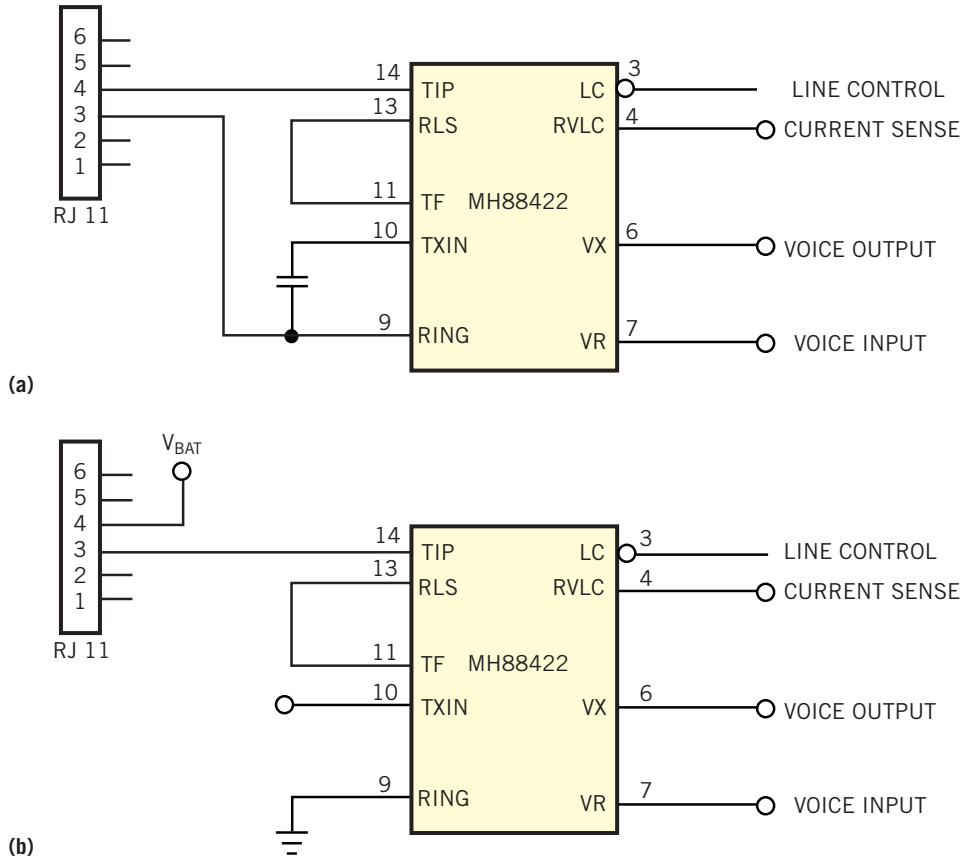


Figure 1



A modification (b) of a DAA's recommended interface (a) provides central-office-like operation for single-line telephones.