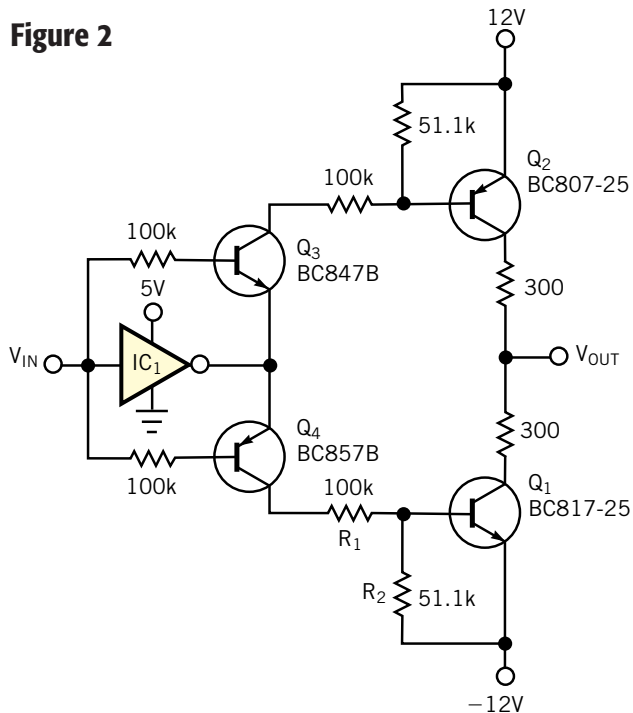


**Figure 2**



**A simple logic gate cuts power drain and provides high-speed operation with symmetrical rise and fall times.**