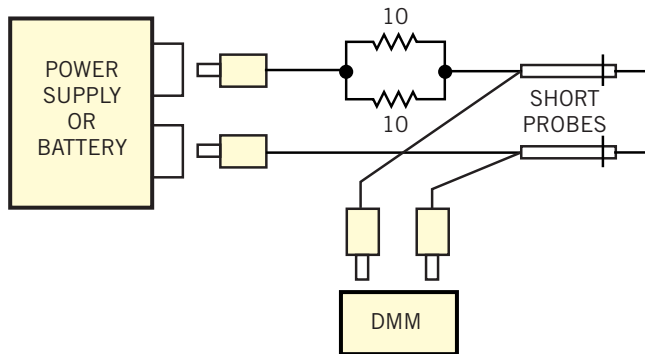


Figure 1



A do-it-yourself short-circuit detector makes it easy to find solder bridges in pc board using surface-mount components.