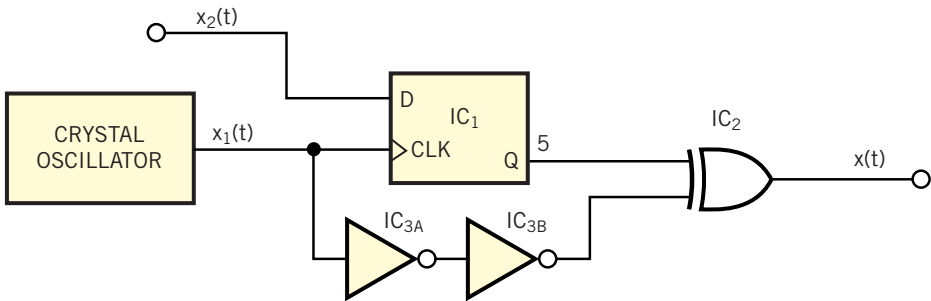


Figure 1



Simple logic gates implement a spread-spectrum technique that produces predictable clock behavior and introduces no unwanted modulation frequencies.